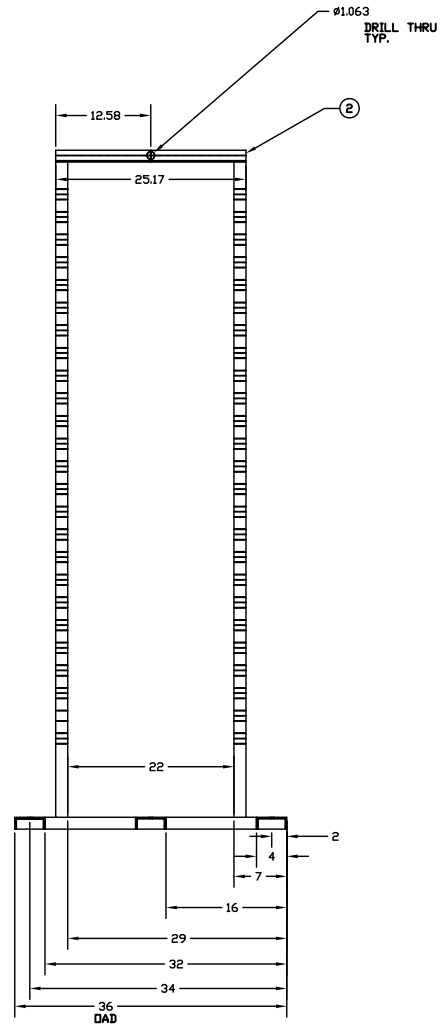
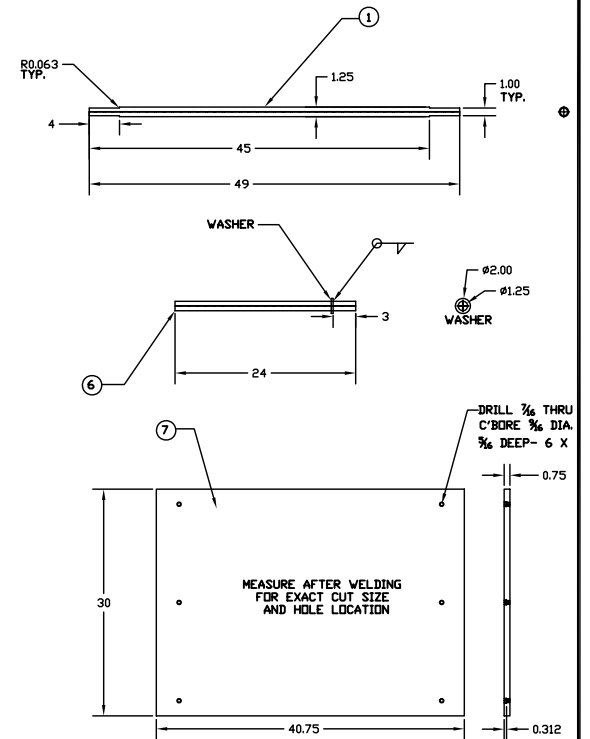


#		QTY.	INCHES	TOTAL WT.
1	1 1/4" ROUND BAR STRAP	1	49	17
2	C4 # 5.4# - CROSS MEMBER	2	39	18
3	C4 # 5.4# - UPRIGHTS	4	347	156
4	C4 # 5.4# - LEFT & RIGHT BASE	2	60	27
5	C4 # 5.4# - FT., MID, REAR BASE	3	123	55
6	1 1/4" ROUND BAR PINS	2	48	22
7	PLYWOOD	1		12



NOTES:
1. PAINT ALL ITEMS BLACK EXCEPT PINS AFTER ASSEMBLY

CUSTOMER REFERENCE DATA			
DATE	REVISED BY	DATE	DATE
ALL DIMENSIONS ARE IN UNLESS OTHERWISE SPECIFIED			
SCALE:	1/8"=1"	DESIGNED BY	CHECKED AND APPROVED BY
PREPARED BY	DATE	DATE	DATE
DRIVEN BY	DATE	DATE	DATE
S/O		D-	

